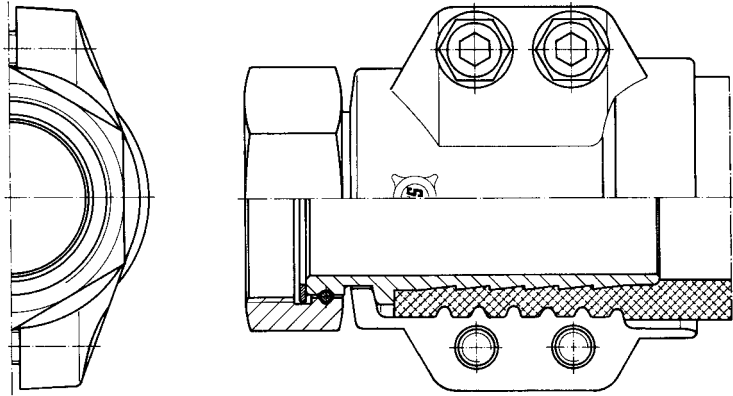


Safety clamp couplings - heavy duty

Type : ECF-HP

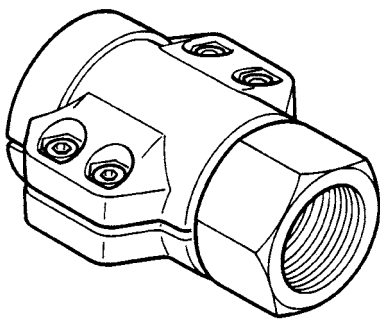
Coupling with swivelling female thread including heat-resistant flat seal (with stainless steel seal of PTFE), without safety clamps.

Safety clamps separate, see page 27.



Type ECF-HP (excl. safety clamps)

ERIKS article no.	Hose tail in mm	Thread	Material	Weight kg	Order Reference
10070420	13	G 1/2"	ST	0,45	ECF-HP 13 ST G 1/2"
10070418			SS	0,45	ECF-HP 13 SS G 1/2"
10070419			MS	0,46	ECF-HP 13 MS G 1/2"
		M 22 x 1,5	MS	0,44	ECF-HP 13 MS M 22
		G 3/4"	ST	0,49	ECF-HP 13 ST G 3/4"
10070421			SS	0,49	ECF-HP 13 SS G 3/4"
10070422			MS	0,50	ECF-HP 13 MS G 3/4"
10070423	19	G 3/4"	ST	0,74	ECF-HP 19 ST G 3/4"
10070424			SS	0,74	ECF-HP 19 SS G 3/4"
10070425			MS	0,75	ECF-HP 19 MS G 3/4"
		M 30 x 1,5	MS	0,75	ECF-HP 19 MS M30
10070426		G 1"	ST	0,81	ECF-HP 19 ST G 1"
10070427			SS	0,81	ECF-HP 19 SS G 1"
11024953			MS	0,83	ECF-HP 19 MS G 1"



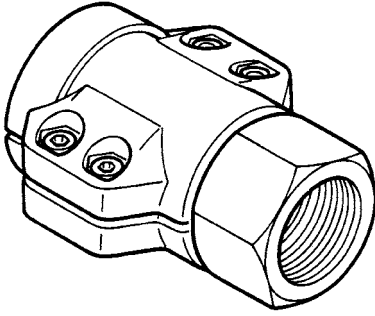
R : BSPT
 SS : Stainless steel 316
 ST : Steel
 MS : Brass

CAUTION!

No safety clamps included.

See pag. 27

Safety clamp couplings - heavy duty



Type ECF-HP (excl. safety clamps)

ERIKS article no.	Hose tail in mm	Thread	Material	Weight kg	Order Reference
10070429	25	G 1"	ST	0,88	ECF-HP 25 ST G 1"
10070430			SS	0,88	ECF-HP 25 SS G 1"
10070431			MS	0,90	ECF-HP 25 MS G 1"
		M 38 x 1,5	MS	0,90	ECF-HP 25 MS M38
10070432		G 1 1/4"	ST	0,97	ECF-HP 25 ST G 1 1/4"
10070433			SS	0,97	ECF-HP 25 SS G 1 1/4"
10070434			MS	0,97	ECF-HP 25 MS G 1 1/4"
10070435	32	G 1 1/4"	ST	1,15	ECF-HP 32 ST G 1 1/4"
10070436			SS	1,15	ECF-HP 32 SS G 1 1/4"
			MS	1,15	ECF-HP 32 MS G 1 1/4"
10070437		M 45 x 1,5	MS	1,20	ECF-HP 32 MS M45
10070438	38	G 1 1/2"	ST	1,95	ECF-HP 38 ST G 1 1/2"
10070439			SS	1,95	ECF-HP 38 SS G 1 1/2"
10070440			MS	2,00	ECF-HP 38 MS G 1 1/2"
		M 52 x 1,5	MS	1,95	ECF-HP 38 MS M52
10070441	50	G 2"	ST	2,50	ECF-HP 50 ST G 2"
10070442			SS	2,50	ECF-HP 50 SS G 2"
10070443			MS	2,50	ECF-HP 50 MS G 2"
		M 65 x 2	MS	2,60	ECF-HP 50 MS M65

CAUTION!
No safety clamps included.
See pag. 27

R : BSPT
SS : Stainless steel 316
ST : Steel
MS : Brass