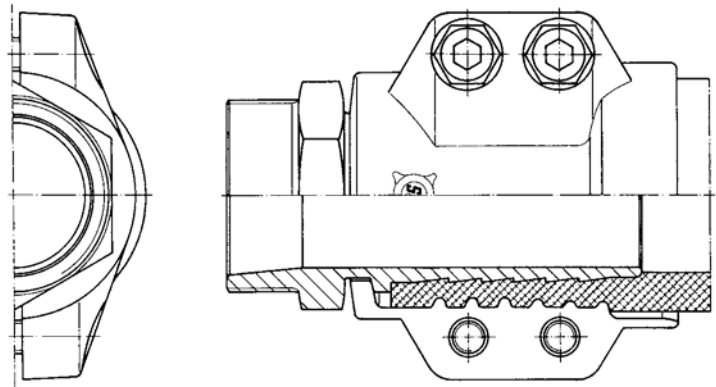


Safety clamp couplings - heavy duty



Type : ECM-HP

Coupling with male thread without safety clamps.

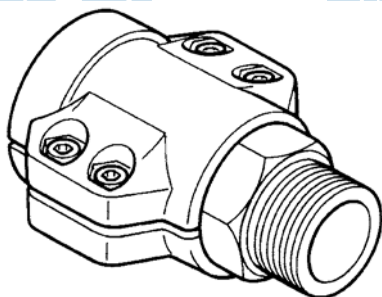
Hose couplings with knurled tailpiece with a safety collar for assembly with brass safety clamps. The tightening of the safety clamps takes place by means of countersunk steel bolts and nuts so a tolerance for the wall thickness of the hose is allowed.

Resistant to temperatures up to 210°C and bursting pressure up to 100 bar.

Note: with brass tailpiece the working pressure is 40 bar.

This coupling can be used as a steam coupling.

These couplings meet the EN 14423/DIN 2826 standard. Perfect for assembly on steam hoses according to EN ISO 6134.



Type ECM-HP (excl. safety clamps)

| ERIKS article no. | Hose tail in mm | Thread | Material | Weight kg | Order Reference |
|-------------------|-----------------|----------|----------|-----------|-----------------------|
| 10070381 | 13 | R 1/2" | ST | 0,44 | ECM-HP 13 ST 1/2" |
| 10070382 | | | SS | 0,44 | ECM-HP 13 SS 1/2" |
| 10039025 | | | MS | 0,45 | ECM-HP 13 MS 1/2" |
| 10070383 | | 1/2" NPT | ST | 0,45 | ECM-HP 13 ST 1/2" NPT |
| 10070384 | | | SS | 0,45 | ECM-HP 13 SS 1/2" NPT |
| 10070385 | | | MS | 0,46 | ECM-HP 13 MS 1/2" NPT |
| 10070386 | | R 3/4" | ST | 0,48 | ECM-HP 13 ST 3/4" |
| 10070387 | | | SS | 0,48 | ECM-HP 13 SS 3/4" |
| 10039027 | 19 | R 3/4" | ST | 0,73 | ECM-HP 19 ST 3/4" |
| 10070388 | | | SS | 0,73 | ECM-HP 19 SS 3/4" |
| 10039026 | | | MS | 0,74 | ECM-HP 19 MS 3/4" |
| 10039028 | | 3/4" NPT | ST | 0,73 | ECM-HP 19 ST 3/4" NPT |
| 10070390 | | | SS | 0,73 | ECM-HP 19 SS 3/4" NPT |
| 10070391 | | | MS | 0,75 | ECM-HP 19 MS 3/4" NPT |
| 11024952 | | R 1" | ST | 0,81 | ECM-HP 19 ST 1" |
| 11022648 | | | SS | 0,81 | ECM-HP 19 SS 1" |

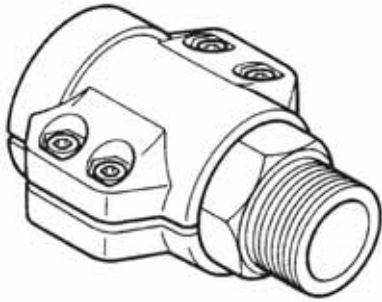
R : BSPT
 SS : Stainless steel 316
 ST : Steel
 MS : Brass

CAUTION!

No safety clamps included.

See pag. 27

Safety clamp couplings - heavy duty



Type ECM-HP (excl. safety clamps)

| ERIKS article no. | Hose tail in mm | Thread | Material | Weight kg | Order Reference |
|-------------------|-----------------|------------|----------|-----------|-------------------------|
| 10070394 | 25 | R1" | ST | 0,87 | ECM-HP 25 ST R 1" |
| 10070395 | | | SS | 0,87 | ECM-HP 25 SS R 1" |
| 10070396 | | | MS | 0,89 | ECM-HP 25 MS R 1" |
| 10070397 | | 1" NPT | ST | 0,87 | ECM-HP 25 ST 1" NPT |
| 10070398 | | | SS | 0,87 | ECM-HP 25 SS 1" NPT |
| 10070399 | | | MS | 0,89 | ECM-HP 25 MS 1" NPT |
| 10070400 | 32 | R 1 1/4" | ST | 1,20 | ECM-HP 32 ST R 1 1/4" |
| 10070401 | | | SS | 1,20 | ECM-HP 32 SS R 1 1/4" |
| 10070402 | | | MS | 1,20 | ECM-HP 32 MS R 1 1/4" |
| 10070403 | | 1 1/4" NPT | ST | 1,20 | ECM-HP 32 ST 1 1/4" NPT |
| 10070404 | | | SS | 1,20 | ECM-HP 32 SS 1 1/4" NPT |
| 10070405 | | | MS | 1,20 | ECM-HP 32 MS 1 1/4" NPT |
| 10070406 | 38 | R 1 1/2" | ST | 1,95 | ECM-HP 38 ST R 1 1/2" |
| 10070407 | | | SS | 1,95 | ECM-HP 38 SS R 1 1/2" |
| 10070408 | | | MS | 2,00 | ECM-HP 38 MS R 1 1/2" |
| 10070409 | | 1 1/2" NPT | ST | 1,95 | ECM-HP 38 ST 1 1/2" NPT |
| 10070410 | | | SS | 1,95 | ECM-HP 38 SS 1 1/2" NPT |
| 10070411 | | | MS | 2,00 | ECM-HP 38 MS 1 1/2" NPT |
| 10070412 | 50 | R 2" | ST | 2,45 | ECM-HP 50 ST R 2" |
| 10070413 | | | SS | 2,45 | ECM-HP 50 SS R 2" |
| 10070414 | | | MS | 2,55 | ECM-HP 50 MS R 2" |
| 10070415 | | 2" NPT | ST | 2,45 | ECM-HP 50 ST 2" NPT |
| 10070416 | | | SS | 2,45 | ECM-HP 50 SS 2" NPT |
| 10070417 | | | MS | 2,55 | ECM-HP 50 MS 2" NPT |

R : BSPT
 SS : Stainless steel 316
 ST : Steel
 MS : Brass

CAUTION!

No safety clamps included.
 See pag. 27