

Safety clamp couplings



Hose couplings with smooth tailpiece (to prevent damage to the inside wall) with a safety collar for assembly with safety clamps (in aluminium, brass or stainless steel).

The tightening of the safety clamps is by means of countersunk steel or stainless steel bolts and nuts so a tolerance for the wall thickness of the hose is allowed.

The maximum working pressure amounts to 25 bar. These couplings are fully in accordance with DIN 2817/EN 14420-5. Perfectly to combine with hoses according to EN 12115.

Type : ECM

Coupling with male thread and flat seal without safety clamps supplied.

Safety clamp separate, see page 27.

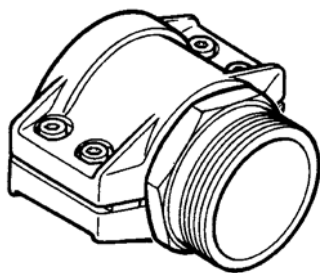
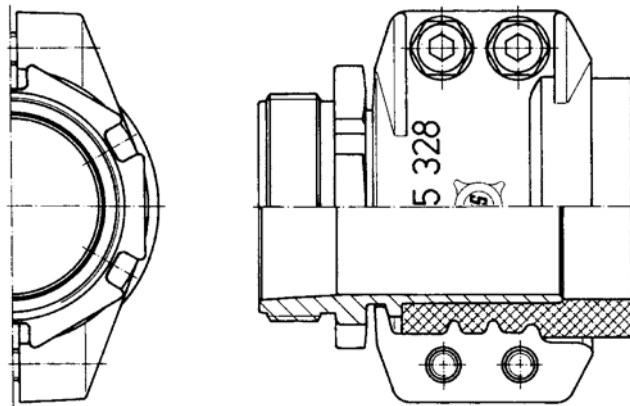


figure 1

Safety clamp couplings type ECM (excl. safety clamps)

| ERIKS article no. | Hose tail in mm | Thread | Material | Fig. | Weight kg | Order Reference |
|-------------------|-----------------|----------|----------|------|-----------|--------------------|
| 10039037 | 13 | G 1/2" | ST | 1 | 0,17 | ECM 13 ST 1/2" BSP |
| 10070382 | | | SS | 1 | 0,17 | ECM 13 SS 1/2" BSP |
| 10039033 | | | MS | 1 | 0,18 | ECM 13 MS 1/2" BSP |
| 10070334 | | 1/2" NPT | ST | 1 | 0,18 | ECM 13 ST 1/2" NPT |
| | | | SS | 1 | 0,18 | ECM 13 SS 1/2" NPT |
| 10039034 | | | MS | 1 | 0,19 | ECM 13 MS 1/2" NPT |
| 10039044 | 19 | G 3/4" | ST | 1 | 0,24 | ECM 19 ST 3/4" BSP |
| 10039042 | | | SS | 1 | 0,24 | ECM 19 SS 3/4" BSP |
| 10039039 | | | MS | 1 | 0,25 | ECM 19 MS 3/4" BSP |
| 10070335 | | 3/4" NPT | ST | 1 | 0,24 | ECM 19 ST 3/4" NPT |
| 10039043 | | | SS | 1 | 0,24 | ECM 19 SS 3/4" NPT |
| 10039041 | | | MS | 1 | 0,25 | ECM 19 MS 3/4" NPT |
| 10039050 | | G 1" | SS | 1 | 0,28 | ECM 19 SS G 1" BSP |
| 10039046 | | | MS | 1 | 0,29 | ECM 19 MS G 1" BSP |

CAUTION!

No safety clamps included.

See pag. 27

G : BSP
R : BSPT
SS : Stainless steel 316

ST : Steel
MS : Brass

Safety clamp couplings type ECM

Safety clamp couplings type ECM (excl. safety clamps)

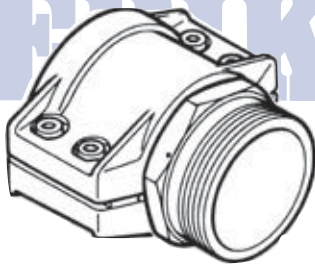


figure 1

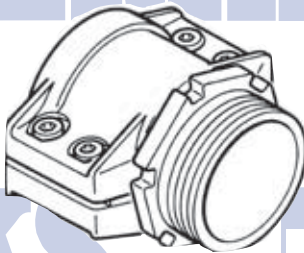


figure 2

| ERIKS article no. | Hose tail in mm | Thread | Material | Fig. | Weight kg | Order Reference |
|-------------------|-----------------|------------|----------|------|-----------|-----------------------|
| 10070339 | 25 | G 1" | ST | 1 | 0,30 | ECM 25 ST 1" BSP |
| 10039049 | | | SS | 1 | 0,30 | ECM 25 SS 1" BSP |
| 10039045 | | | MS | 1 | 0,30 | ECM 25 MS 1" BSP |
| | | R 1" | MS | 1 | 0,33 | ECM 25 MS 1" BSPT |
| 10039053 | | 1" NPT | ST | 1 | 0,33 | ECM 25 ST 1" NPT |
| 10039051 | | | SS | 1 | 0,33 | ECM 25 SS 1" NPT |
| 10039048 | | | MS | 1 | 0,34 | ECM 25 MS 1" NPT |
| | | G 1 1/4" | SS | 1 | 0,39 | ECM 25 SS 1 1/4" BSP |
| | | | MS | 1 | 0,37 | ECM 25 MS 1 1/4" BSP |
| | | G 1 1/2" | SS | 1 | 0,43 | ECM 25 SS 1 1/2" BSP |
| 10070344 | | G 2" | SS | 1 | 0,59 | ECM 25 SS 2" BSP |
| 10070345 | 32 | G 1 1/4" | ST | 1 | 0,37 | ECM 32 ST 1 1/4" BSP |
| 10039055 | | | SS | 1 | 0,37 | ECM 32 SS 1 1/4" BSP |
| 10039054 | | | MS | 1 | 0,38 | ECM 32 MS 1 1/4" BSP |
| 10070348 | | R 1 1/4" | MS | 1 | 0,41 | ECM 32 MS 1 1/4" BSPT |
| 10070346 | | 1 1/4" NPT | ST | 1 | 0,39 | ECM 32 ST 1 1/4" NPT |
| 10070347 | | | SS | 1 | 0,39 | ECM 32 SS 1 1/4" NPT |
| | | | MS | 1 | 0,41 | ECM 32 MS 1 1/4" NPT |
| 10070349 | | G 1 1/2" | SS | 1 | 0,42 | ECM 32 SS 1 1/2" BSP |
| 10070350 | | | MS | 1 | 0,39 | ECM 32 MS 1 1/2" BSP |
| 10070351 | | G 2" | SS | 1 | 0,58 | ECM 32 SS 2" BSP |
| 10070352 | | | MS | 1 | 0,51 | ECM 32 MS 2" BSP |
| 10070353 | 35 | G 1 1/2" | MS | 1 | 0,44 | ECM 35 MS 1 1/2" BSP |
| 10070354 | | G 2" | MS | 1 | 0,54 | ECM 35 MS 2" BSP |
| 10070355 | 38 | G 1 1/2" | ST | 1 | 0,39 | ECM 38 ST 1 1/2" BSP |
| 10039059 | | | SS | 1 | 0,40 | ECM 38 SS 1 1/2" BSP |
| 10039056 | | | MS | 2 | 0,44 | ECM 38 MS 1 1/2" BSP |
| 10039057 | | R 1 1/2" | MS | 2 | 0,46 | ECM 38 MS 1 1/2" BSPT |
| 10039060 | | 1 1/2" NPT | ST | 1 | 0,42 | ECM 38 ST 1 1/2" NPT |
| 10070356 | | | SS | 1 | 0,42 | ECM 38 SS 1 1/2" NPT |
| 10039058 | | | MS | 2 | 0,44 | ECM 38 MS 1 1/2" NPT |
| 10070357 | | G 2" | SS | 1 | 0,52 | ECM 38 SS 2" BSP |
| 10070358 | | | MS | 2 | 0,55 | ECM 38 MS 2" BSP |
| | 40 | G 1 1/2" | SS | 1 | 0,54 | ECM 40 SS 1 1/2" BSP |
| | | | MS | 1 | 0,56 | ECM 40 MS 1 1/2" BSP |
| | | G 2" | SS | 1 | 0,66 | ECM 40 SS 2" BSP |
| | | | MS | 1 | 0,66 | ECM 40 MS 2" BSP |
| 10070359 | 45 | G 2" | MS | 1 | 0,82 | ECM 45 MS 2" BSP |

CAUTION!

No safety clamps included.

See pag. 27

G : BSP
R : BSPT
SS : Stainless steel 316

ST : Steel
MS : Brass

Safety clamp couplings type ECM



figure 1



figure 2



figure 3



figure 4

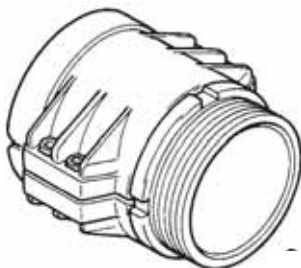


figure 5

Safety clamp couplings type ECM (excl. safety clamps)

| ERIKS article no. | Hose tail in mm | Thread | Material | Fig. | Weight kg | Order Reference |
|-------------------|-----------------|------------|----------|------|-----------|-----------------------|
| 10070360 | 50 | G 2" | ST | 1 | 0,67 | ECM 50 ST 2" BSP |
| 10039066 | | | SS | 3 | 0,61 | ECM 50 SS 2" BSP |
| | | | SS | 6 | 0,74 | ECM 50 SS 2" BSP |
| 10039062 | | | MS | 2 | 0,73 | ECM 50 MS 2" BSP |
| 10070362 | | | PP | 3 | 0,33 | ECM 50 PP 2" BSP |
| 10039063 | | R2" | MS | 2 | 0,76 | ECM 50 MS 2" BSPT |
| 10039068 | | 2" NPT | ST | 1 | 0,70 | ECM 50 ST 2" NPT |
| 10070363 | | | SS | 1 | 0,70 | ECM 50 SS 2" NPT |
| 10039064 | | | MS | 2 | 0,78 | ECM 50 MS 2" NPT |
| 10039065 | | G 2 1/2" | MS | 1 | 0,86 | ECM 50 MS 2 1/2" BSP |
| 10039070 | | R2 1/2" | MS | 2 | 1,20 | ECM 50 MS 2.1/2" BSPT |
| 10070364 | 63 | G 2 1/2" | SS | 6 | 1,20 | ECM 63 SS 2 1/2" BSP |
| 10039069 | | | MS | 2 | 1,10 | ECM 63 MS 2 1/2" BSP |
| | | 2 1/2" NPT | SS | 6 | 1,15 | ECM 63 SS 2 1/2" NPT |
| 11014007 | | | MS | 2 | 1,15 | ECM 63 MS 2 1/2" NPT |
| 10070365 | 63 | G 3" | SS | 3 | 1,25 | ECM 63 SS 3" BSP |
| 11033622 | | | MS | 5 | 1,10 | ECM 63 MS 3" BSP |
| 10070367 | 75 | G 3" | ST | 3 | 1,30 | ECM 75 ST 3" BSP |
| 10039072 | | | SS | 3 | 1,10 | ECM 75 SS 3" BSP |
| | | | SS | 6 | 1,45 | ECM 75 SS 3" BSP |
| 10039071 | | | MS | 5 | 1,45 | ECM 75 MS 3" BSP |
| 10070369 | | | AL | 1 | 0,81 | ECM 75 AI 3" BSP |
| 10070370 | | | PP | 3 | 0,62 | ECM 75 PP 3" BSP |
| 10070373 | | R3" | MS | 2 | 1,50 | ECM 75 MS R 3" BSPT |
| 10070371 | | 3" NPT | ST | 4 | 1,95 | ECM 75 ST 3" NPT |
| 10070372 | | | SS | 6 | 1,45 | ECM 75 SS 3" NPT |
| 10039074 | | | MS | 2 | 1,50 | ECM 75 MS 3" NPT |
| 10070374 | 80 | G 3" | SS | 3 | 1,10 | ECM 80 SS 3" BSP |
| 10070375 | | | MS | 2 | 1,30 | ECM 80 MS 3" BSP |
| 10070376 | 100 | G 4" | ST | 4 | 3,10 | ECM 100 ST 4" BSP |
| 10039030 | | | SS | 6 | 2,70 | ECM 100 SS 4" BSP |
| 10039029 | | | MS | 2 | 3,25 | ECM 100 MS 4" BSP |
| 10070377 | | | AL | 6 | 2,05 | ECM 100 AI 4" BSP |
| 10070380 | | R4" | MS | 2 | 3,10 | ECM 100 MS 4" BSPT |
| 10039031 | | 4" NPT | ST | 4 | 3,45 | ECM 100 ST 4" NPT |
| 10070370 | | | SS | 6 | 3,00 | ECM 100 SS 4" NPT |
| 10070379 | | | MS | 2 | 3,15 | ECM 100 MS 4" NPT |

CAUTION!

No safety clamps included.
See pag. 27

G : BSP
R : BSPT
SS : Stainless steel 316

ST : Steel
AL : Aluminium
MS : Brass