

Safety clamps (EN 14420-3 / DIN 2817 - EN 14423/DIN 2826)

Safety clamps type RK for:

- Threaded couplings type ECM, ECF and Akzo.
- Flange couplings type ECLF and ECFF
- Quick-release couplings with smooth tailpiece and safety collar: ERITITE, Storz, Guillemin,...

Safety clamps type RK-HP for:

- Threaded couplings type ECM-HP and ECF-HP

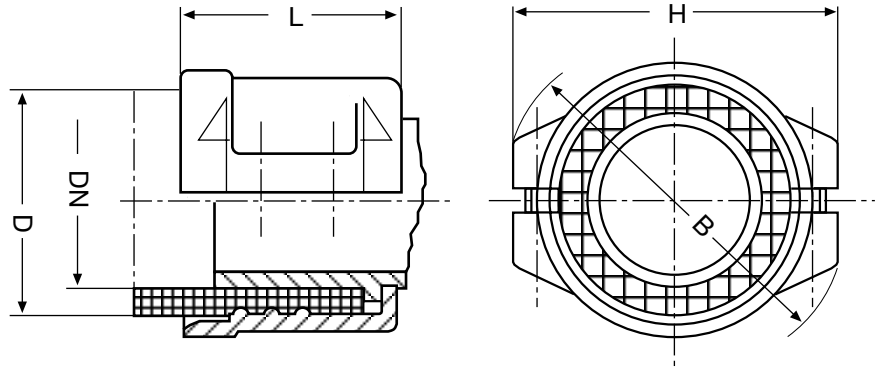


Table of sizes

ERIKS article no.	DN mm	D min-max mm	Material	Size mm			Quantity	Weight kg	Order Reference		
				H	B	L					
10069720	13 x 5	22-24	SS	56	59	50	4 x M6 x 20	0,25	RK	13 x 5	SS
10016128		22-24	MS	56	59	50	4 x M6 x 20	0,27	RK	13 x 5	BS
10016105		22-24	AL*	56	59	50	4 x M6 x 20	0,11	RK	13 x 5	AL
10069722	13 x 5	22-24	MS	54	57	65	4 x M6 x 20	0,37	RK-HP	13 x 5	Ms
	13 x 6	24-26	MS	54	57	65	4 x M6 x 20	0,34	RK-HP	13 x 6	Ms
10069723	13 x 7	26-28	MS	54	57	65	4 x M6 x 20	0,37	RK-HP	13 x 7	Ms
10069724	19 x 6	30-33	SS	65	68	50	4 x M6 x 20	0,31	RK	19 x 6	SS
10069725		30-33	MS	65	68	50	4 x M6 x 20	0,31	RK	19 x 6	Ms
10016106		30-33	AL*	65	68	50	4 x M6 x 20	0,13	RK	19 x 6	AL
10069726		30-33	MS*	67	70	65	4 x M8 x 25	0,54	RK-HP	19 x 6	BS
10016147	19 x 7	32-34	MS*	70	73	65	4 x M8 x 25	0,56	RK-HP	19 x 7	BS
10069728	19 x 8	34-36	MS*	70	73	65	4 x M8 x 25	0,55	RK-HP	19 x 8	BS
10016133	25 x 6	36-39	SS	73	75	50	4 x M6 x 20	0,33	RK	25 x 6	SS
10069729		36-39	MS*	73	75	50	4 x M6 x 20	0,33	RK	25 x 6	BS
10016107		36-39	AL*	73	75	50	4 x M6 x 20	0,14	RK	25 x 6	AL
10069730	25 x 6,5	37-39	MS*	76	79	65	4 x M8 x 25	0,55	RK-HP	25 x 6,6	BS
10069731	25 x 7,5	39-41	MS*	80	83	65	4 x M8 x 25	0,68	RK-HP	25 x 7,5	BS
10069732	25 x 8	40-43	MS*	88	91	50	4 x M8 x 25	0,38	RK	25 x 8	BS
10016108		40-43	AL*	76	79	50	4 x M6 x 20	0,14	RK	25 x 8	AL
10069733	25 x 8,5	41-43	MS*	80	83	65	4 x M8 x 25	0,65	RK-HP	25 x 8,5	BS
10016134	32 x 6	43-46	SS	79	81	50	4 x M6 x 20	0,35	RK	32 x 6	SS
10016129		43-46	MS*	79	81	50	4 x M6 x 20	0,41	RK	32 x 6	BS
10016109		43-46	AL*	79	81	50	4 x M6 x 20	0,15	RK	32 x 6	AL
10069734		43-46	MS*	86	89	77	4 x M6 x 25	0,87	RK-HP	32 x 6	BS
10069735	32 x 8	47-50	MS	88	91	50	4 x M8 x 20	0,41	RK	32 x 8	BS
10016140		47-50	AL*	83	85	50	4 x M6 x 20	0,15	RK	32 x 8	AL
10069737	32 x 10	50-53	MS	94	97	50	4 x M8 x 25	0,61	RK	32 x 10	BS
10069738		50-53	AL	94	97	50	4 x M8 x 25	0,26	RK	32 x 10	AL
10069739		50-53	MS	95	97	77	4 x M8 x 25	0,83	RK-HP	32 x 10	BS
10069740	35 x 6	47-50	AL*	83	85	50	4 x M8 x 20	0,15	RK	35 x 6	AL

SS = 316 stainless steel, MS = brass, MS* = hot stamped brass, AL = aluminium, AL* = hot stamped aluminium

Safety clamps (EN 14420-3 / DIN 2817 - EN 14423/DIN 2826)

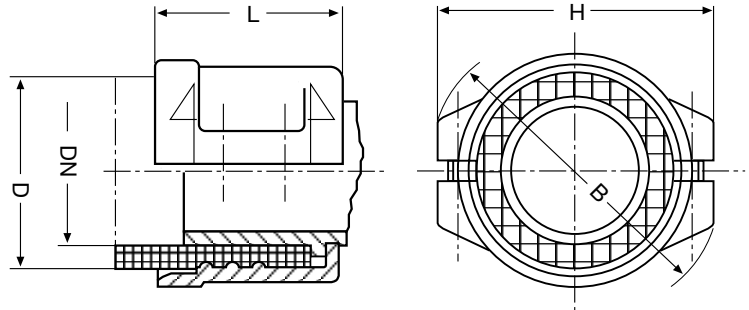


Table of sizes

ERIKS article no.	DN mm	D min-max mm	Material	Size mm			Quantity	Weight kg	Order Reference		
				H	B	L					
10016135	38 x 6,5	50-52	SS	83	85	50	4 x M6 x 20	0,41	RK	38 x 6,5	SS
10016130		50-52	MS*	83	85	50	4 x M6 x 20	0,45	RK	38 x 6,5	BS
10016110		50-52	AL*	83	85	50	4 x M6 x 20	0,16	RK	38 x 6,5	AL
10069741	38 x 8	53-56	MS	93	96	50	4 x M8 x 25	0,54	RK	38 x 8	BS
10016111		53-56	AL*	93	96	50	4 x M8 x 25	0,25	RK	38 x 8	AL
10069742		53-56	MS*	102	107	90	4 x M10 x 40	1,40	RK-HP	38 x 8	BS
		53-56	SS	102	107	90	4 x M10 x 25	1,30	RK-HP	38 x 8	SS
10016139	38 x 10	57-60	MS	90	92	50	4 x M6 x 25	0,50	RK	38 x 10	BS
10016141		57-60	AL	90	92	50	4 x M6 x 25	0,18	RK	38 x 10	AL
10069743		57-60	MS*	106	111	90	4 x M10 x 40	1,55	RK-HP	38 x 10	BS
10069744	40 x 7	53-56	MS	85	87	50	4 x M6 x 20	0,50	RK	40 x 7	BS
10016144		53-56	AL*	85	87	50	4 x M6 x 20	0,18	RK	40 x 7	AL
10069745	40 x 10	58-61	MS*	92	94	50	4 x M6 x 20	0,32	RK	40 x 10	BS
10069746		58-61	AL	92	94	50	4 x M6 x 20	0,19	RK	40 x 10	AL
10069747	45 x 7	58-61	AL	98	101	57	4 x M8 x 25	0,30	RK	45 x 7	AL
10016136	50 x 8	64-67	SS	103	106	57	4 x M8 x 25	0,65	RK	50 x 8	SS
10016131		64-67	MS*	103	106	57	4 x M8 x 25	0,71	RK	50 x 8	BS
10016113		64-67	AL*	103	106	57	4 x M8 x 25	0,27	RK	50 x 8	AL
10069749	50 x 9	67-69	MS*	113	117	100	4 x M10 x 40	1,70	RK-HP	50 x 9	BS
		67-69	SS	113	117	100	4 x M10 x 40	1,65	RK-HP	50 x 9	SS
		69-71	MS*	107	110	57	4 x M8 x 25	0,81	RK	50 x 10	BS
		69-71	AL*	107	110	57	4 x M8 x 25	0,31	RK	50 x 10	AL
10069750	50 x 10	69-71	MS*	116	121	100	4 x M10 x 40	1,75	RK-HP	50 x 10	BS
10069751	50 x 12	73-76	MS	128	132	100	4 x M10 x 40	2,40	RK-HP	50 x 12	BS
10016145	65 x 7	78-82	MS*	118	121	75	4 x M8 x 25	1,20	RK	65 x 7	BS
10016115		78-82	AL*	118	121	75	4 x M8 x 25	0,40	RK	65 x 7	AL
10069718		78-82	SS	118	121	75	4 x M8 x 25	1,05	RK	65 x 7	SS
10069753	65 x 10	84-87	MS	124	126	75	4 x M8 x 25	1,30	RK	65 x 10	BS
10069754		84-87	AL*	124	126	75	4 x M8 x 25	0,45	RK	65 x 10	AL
10069755	65 x 10	84-87	MS	141	143	102	4 x M10 x 40	2,90	RK-HP	65 x 10	BS
10069756	65 x 12	88-91	MS	141	143	102	4 x M10 x 40	2,40	RK-HP	65 x 12	BS
10016137	75 x 8	88-93	SS	131	133	77	4 x M8 x 25	1,15	RK	75 x 8	SS
10016132		88-93	MS*	131	133	77	4 x M8 x 25	1,25	RK	75 x 8	BS
10016116		88-93	AL*	131	133	77	4 x M8 x 25	0,49	RK	75 x 8	AL
10069758	75 x 10	94-97	MS	138	140	77	4 x M8 x 25	1,40	RK	75 x 10	BS
10016117		94-97	AL*	138	140	77	4 x M8 x 25	0,53	RK	75 x 10	AL
10069759		94-97	MS	148	150	115	4 x M10 x 40	3,30	RK-HP	75 x 10	BS

Safety clamps (EN 14420-3 / DIN 2817 - EN 14423/DIN 2826)

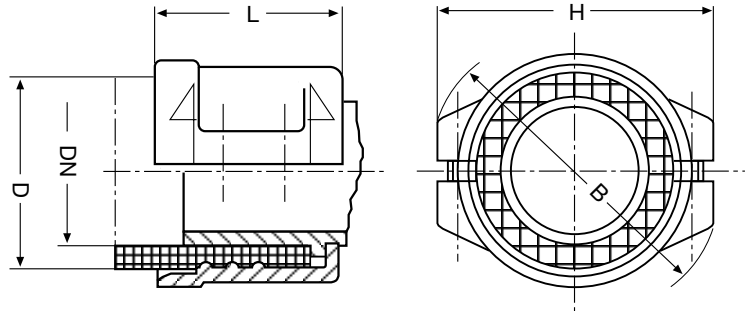


Table of sizes

ERIKS article no.	DN mm	D min-max mm	Material	Size mm			Quantity	Weight kg	Order Reference		
				H	B	L					
10069760	75 x 12	98-101	MS	148	150	77	4 x M8 x 25	1,85	RK	75 x 12	BS
10016118		98-101	AL*	141	142	77	4 x M8 x 25	0,52	RK	75 x 12	AL
10069761	75 x 12	98-101	MS	148	150	77	4 x M10 x 40	2,85	RK-HP	75 x 12	BS
10069762	75 x 14	102-105	MS	155	157	15	4 x M10 x 40	3,90	RK-HP	75 x 14	BS
10069763	80 x 8	94-97	MS	138	140	77	4 x M8 x 25	1,40	RK	80 x 8	BS
10069764		94-97	AL*	138	140	77	4 x M8 x 25	0,47	RK	80 x 8	AL
10069765	80 x 10	99-102	MS	148	150	77	4 x M8 x 25	1,80	RK	80 x 10	BS
10069766		99-102	AL*	141	142	77	4 x M8 x 25	0,51	RK	80 x 10	AL
10069767	80 x 12	102-105	AL*	141	142	108	6 x M8 x 25	0,65	RK	80 x 12	AL
10069769	100 x 8	114-119	MS*	164	167	120	4 x M10 x 40	3,40	RK	100 x 8	BS
10016119		114-119	AL*	164	167	120	4 x M10 x 40	1,10	RK	100 x 8	AL
10069719		114-119	SS	164	167	120	4 x M10 x 40	3,00	RK	100 x 8	SS
10069770	100 x 10	118-122	MS	185	187	120	4 x M10 x 40	5,60	RK	100 x 10	BS
10016120		118-122	AL*	167	169	120	4 x M10 x 40	1,15	RK	100 x 10	AL
10069771	100 x 12	122-126	MS	185	187	120	4 x M10 x 40	5,00	RK	100 x 12	BS
10016121		122-126	AL*	174	176	120	4 x M10 x 40	1,40	RK	100 x 12	AL
10069772	100 x 14	126-130	MS	185	187	120	4 x M10 x 40	4,80	RK	100 x 14	BS
10069773		126-130	AL*	180	182	120	4 x M10 x 40	1,35	RK	100 x 14	AL
10069774	100 x 16	130-134	MS	185	187	120	4 x M10 x 40	3,75	RK	100 x 16	BS
10069775		130-134	AL*	185	187	120	4 x M10 x 40	1,40	RK	100 x 16	AL
10069776	125 x 10	143-148	MS	211	214	145	6 x M12 x 50	8,20	RK	125 x 10	BS
10016122		143-148	AL*	190	192	145	6 x M12 x 40	1,40	RK	125 x 10	AL
10069777	125 x 13	143-148	MS	211	214	145	6 x M12 x 50	7,25	RK	125 x 13	BS
10069778		143-148	AL	211	214	145	6 x M12 x 50	2,65	RK	125 x 13	AL
10069779	125 x 15	153-158	MS	218	224	145	6 x M12 x 50	8,10	RK	125 x 15	BS
10069780		153-158	AL	218	224	145	6 x M12 x 50	2,85	RK	125 x 15	AL
10016123	150 x 10	168-174	AL*	231	235	182	6 x M12 x 50	3,75	RK	150 x 15	AL
10016124	150 x 13	174-180	AL*	233	237	182	6 x M12 x 50	3,30	RK	150 x 13	AL
10016125	150 x 15	174-180	AL*	244	248	182	6 x M12 x 50	3,70	RK	150 x 15	AL
10016126	200 x 12	222-229	AL*	288	291	243	8 x M12 x 60	6,50	RK	200 x 12	AL
10016127	200 x 16	230-239	AL*	294	298	243	8 x M12 x 60	6,75	RK	200 x 16	AL

SS = 316 stainless steel, MS = brass, MS* = hot stamped brass, AL = aluminium, AL* = hot stamped aluminium