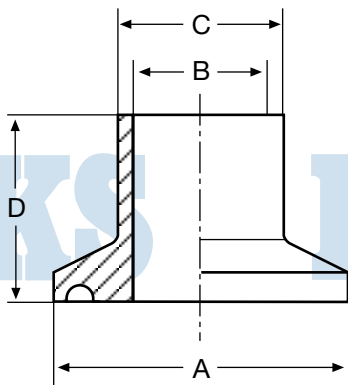
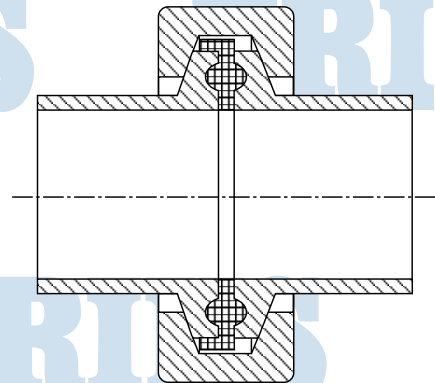
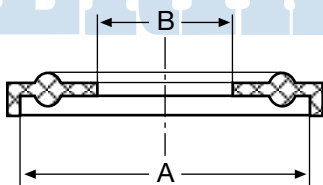


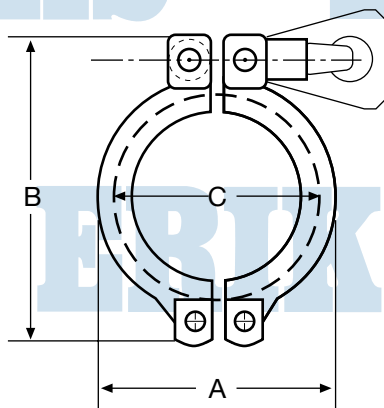
#### Triclamp couplings DIN 32676



DIN Triclamp with socket or butt weld



DIN seal



Triclamp clamp

#### DIN Triclamp with socket or butt weld

| ERIKS article no. | DN | A    | B  | C  | D    |
|-------------------|----|------|----|----|------|
|                   | 15 | 34   | 16 | 19 | 18   |
|                   | 20 | 34   | 20 | 23 | 18   |
|                   | 25 | 50,5 | 26 | 29 | 21,5 |
|                   | 32 | 50,5 | 32 | 35 | 21,5 |
|                   | 40 | 50,5 | 38 | 41 | 21,5 |
|                   | 50 | 64   | 50 | 53 | 21,5 |

Available with special tailpiece for hygienic pressing on the hose.

#### DIN seal

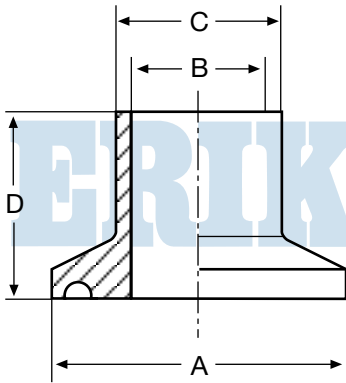
| ERIKS article no. | DN | A    | B    |
|-------------------|----|------|------|
|                   | 15 | 34   | 16,2 |
|                   | 20 | 34   | 20,2 |
|                   | 25 | 50,5 | 26,2 |
|                   | 32 | 50,5 | 32,2 |
|                   | 40 | 50,5 | 32,2 |
|                   | 50 | 64   | 50,2 |

Material: NBR, EPDM, silicone, FPM, PTFE

#### DIN Triclamp clamp

| ERIKS article no. | DN    | A   | B   | C    |
|-------------------|-------|-----|-----|------|
|                   | 15-20 | 45  | 63  | 38   |
|                   | 25-40 | 64  | 88  | 54,5 |
|                   | 50    | 77  | 105 | 68   |
|                   | 65    | 104 | 137 | 95   |

#### Triclamp couplings "INCH"

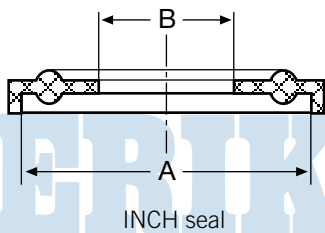


INCH Triclamp with socket or butt weld

#### Triclamp "INCH" with socket or butt weld

| ERIKS article no. | DN     | A    | B    | C    | D    |
|-------------------|--------|------|------|------|------|
|                   | 1"     | 50,5 | 22,9 | 25,4 | 21,5 |
|                   | 1 1/2" | 50,5 | 35,1 | 38,1 | 21,5 |
|                   | 2"     | 64   | 47,8 | 50,8 | 21,5 |
|                   | 2 1/2" | 77,5 | 60,5 | 63,5 | 28   |
|                   | 3"     | 91   | 72,1 | 76,1 | 28   |

Available with special tailpiece for hygienic pressing on the hose

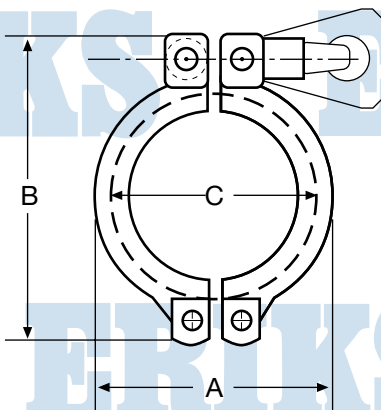


INCH seal

#### Seal "INCH"

| ERIKS article no. | DN     | A    | B    |
|-------------------|--------|------|------|
|                   | 1"     | 50,5 | 23,1 |
|                   | 1 1/2" | 50,5 | 35,1 |
|                   | 2"     | 64   | 48   |
|                   | 2 1/2" | 77,5 | 60,7 |
|                   | 3"     | 91   | 72,1 |

Material: NBR, EPDM, silicone, Viton, PTFE



Triclamp clamp

#### Triclamp "INCH" clamp

| ERIKS article no. | DN          | A   | B   | C    |
|-------------------|-------------|-----|-----|------|
|                   | 1" - 1 1/2" | 64  | 88  | 54,5 |
|                   | 2"          | 77  | 105 | 68   |
|                   | 2 1/2"      | 91  | 123 | 81,5 |
|                   | 3"          | 104 | 137 | 95   |

**Note:** All other versions such as with tailpiece are also available.