

#### RECTUPUSH insert couplings

**Optimal passage**

The pipe is clamped tight on the outside to ensure no narrowing of the inside diameter.

**Immediately useable**

Great diversity of connection possibilities.

**Fast assembly and disassembly**

- no tools required
- direct connection
- assembly and disassembly in poorly accessible places also possible

**Suitable for**

PA and PU hoses

**Diameter range**

external diameter 4 to 14

**Material couplings**

brass and plastic

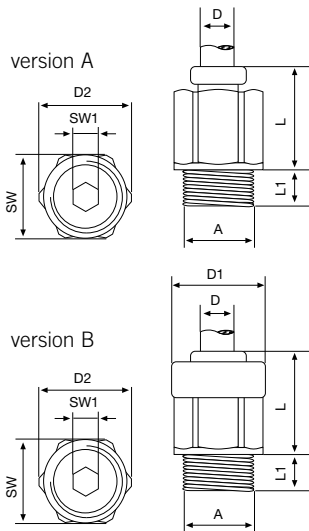
**Maximum working pressure**

18 bar

**Temperature range**

from -10°C to +70°C

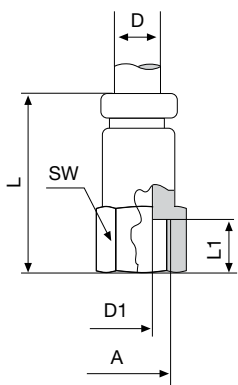
#### RECTUPUSH insert couplings



#### Straight screw-in coupling

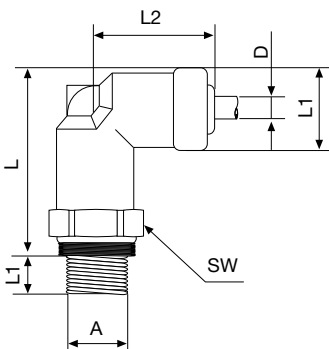
| ERIKS art.no. | Conn. | Order ref.  | SW | L    | D  | L1  | L2 | L3 | SW1 | B | D1   | D2   | Vers. |
|---------------|-------|-------------|----|------|----|-----|----|----|-----|---|------|------|-------|
| 10038083      | M5    | RP 01-05/04 | 10 | 18,5 | 4  | 3,5 |    |    | 2,5 |   |      | 11   | A     |
| 10038084      | 1/8   | RP 01-10/04 | 13 | 17   | 4  | 5   |    |    | 3   |   |      | 14   | A     |
| 10038085      | 1/4   | RP 01-13/04 | 17 | 12   | 4  | 7   |    |    | 3   |   |      | 18,5 | A     |
| 10038086      | M5    | RP 01-05/06 | 11 | 20   | 6  | 3,5 |    |    | 2,5 |   |      | 12   | A     |
| 10038087      | 1/8   | RP 01-10/06 | 13 | 20,5 | 6  | 5   |    |    | 4   |   | 16   | 14   | B     |
| 10038088      | 1/4   | RP 01-13/06 | 17 | 17   | 6  | 7   |    |    | 4   |   | 20,5 | 18,5 | B     |
| 10038089      | 1/8   | RP 01-10/08 | 13 | 21,5 | 8  | 5   |    |    | 5   |   | 16   | 14   | B     |
| 10038090      | 1/4   | RP 01-13/08 | 17 | 21,5 | 8  | 7   |    |    | 6   |   | 20,5 | 18,5 | B     |
| 10038091      | 3/8   | RP 01-17/08 | 19 | 18   | 8  | 8   |    |    | 6   |   |      | 21   | A     |
| 10038092      | 1/4   | RP 01-13/10 | 17 | 26,5 | 10 | 7   |    |    | 7   |   |      | 18,5 | A     |
| 10038093      | 3/8   | RP 01-17/10 | 19 | 24   | 10 | 8   |    |    | 8   |   | 23,5 | 21   | B     |
| 10070231      | 1/4   | RP 01-13/12 | 19 | 27,5 | 12 | 7   |    |    | 7   |   |      | 21   |       |
| 10070232      | 3/8   | RP 01-17/12 | 19 | 27   | 12 | 8   |    |    | 9   |   |      | 21   |       |
| 10070233      | 1/2   | RP 01-21/12 | 24 | 25   | 12 | 9,5 |    |    | 10  |   |      | 26   |       |
| 10070234      | 3/8   | RP 01-17/14 | 22 | 30   | 14 | 8   |    |    | 9   |   |      | 24   |       |
| 10070235      | 1/2   | RP 01-21/14 | 24 | 26,5 | 14 | 9,5 |    |    | 11  |   |      | 26   |       |

#### Straight screw-on coupling



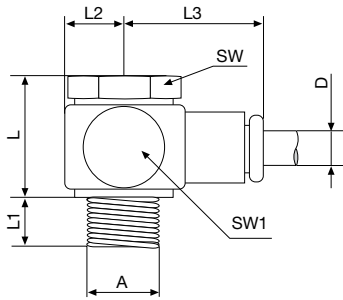
| ERIKS art.no. | Conn. | Order ref.  | SW | L    | D  | L1   | L2   | L3 | SW1 | B | D1  | D2 | Vers. |
|---------------|-------|-------------|----|------|----|------|------|----|-----|---|-----|----|-------|
| 10038094      | 1/8   | RP 14-10/04 | 13 | 27   | 4  | 8,5  | 11,5 |    |     |   | 3,3 |    |       |
| 10038095      | 1/4   | RP 14-13/04 | 17 | 31   | 4  | 11,5 | 15,5 |    |     |   | 3,3 |    |       |
| 10038096      | 1/8   | RP 14-10/06 | 13 | 29   | 6  | 8,5  | 10,5 |    |     |   | 4   |    |       |
| 10038097      | 1/4   | RP 14-13/06 | 17 | 33   | 6  | 11,5 | 15,5 |    |     |   | 4   |    |       |
| 10038098      | 1/8   | RP 14-10/08 | 13 | 29   | 8  | 8,5  | 10,5 |    |     |   | 6   |    |       |
| 10038099      | 1/4   | RP 14-13/08 | 17 | 33   | 8  | 11,5 | 15,5 |    |     |   | 6   |    |       |
| 10070236      | 3/8   | RP 14-17/12 | 19 | 40,5 | 12 | 14   |      |    |     |   |     |    |       |
| 10070237      | 1/2   | RP 14-21/12 | 24 | 45   | 12 | 18,5 |      |    |     |   |     |    |       |

#### Knee screw-in coupling - turnable



| ERIKS art.no. | Conn. | Order ref.  | SW | L    | D  | L1  | L2 | L3 | SW1 | B | D1   | D2 | Vers. |
|---------------|-------|-------------|----|------|----|-----|----|----|-----|---|------|----|-------|
| 10038100      | M5    | RP 99-05/04 | 10 | 18   | 4  | 3,5 |    |    |     |   | 11   |    |       |
| 10038101      | 1/8   | RP 99-10/04 | 14 | 18   | 4  | 5   |    |    |     |   | 11   |    |       |
| 10038102      | 1/4   | RP 99-13/04 | 19 | 18   | 4  | 7   |    |    |     |   | 11   |    |       |
| 10038103      | 1/8   | RP 99-10/06 | 14 | 20,5 | 6  | 5   |    |    |     |   | 13,5 |    |       |
| 10038104      | 1/4   | RP 99-13/06 | 19 | 20,5 | 6  | 7   |    |    |     |   | 13,5 |    |       |
| 10038105      | 1/8   | RP 99-10/08 | 14 | 22,5 | 8  | 5   |    |    |     |   | 16   |    |       |
| 10038106      | 1/4   | RP 99-13/08 | 19 | 22,5 | 8  | 7   |    |    |     |   | 16   |    |       |
| 10038107      | 3/8   | RP 99-17/08 | 22 | 22,5 | 8  | 8   |    |    |     |   | 16   |    |       |
| 10038108      | 1/4   | RP 99-13/10 | 19 | 28,5 | 10 | 7   |    |    |     |   | 21   |    |       |
| 10038109      | 3/8   | RP 99-17/10 | 22 | 28,5 | 10 | 8   |    |    |     |   | 21   |    |       |
| 10070238      | 1/4   | RP 99-13/12 | 22 | 30   | 12 | 7   |    |    |     |   | 23,5 |    |       |
| 10070239      | 3/8   | RP 99-17/12 | 22 | 30   | 12 | 8   |    |    |     |   | 23,5 |    |       |
| 10070240      | 3/8   | RP 99-17/14 | 24 | 33,5 | 14 | 8   |    |    |     |   | 25,5 |    |       |
| 10070241      | 1/2   | RP 99-21/14 | 27 | 33,5 | 14 | 9,5 |    |    |     |   | 25,5 |    |       |

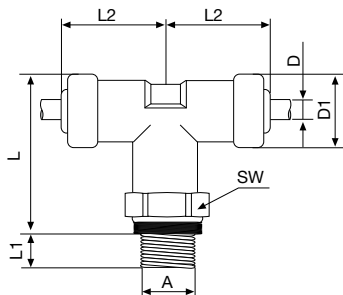
#### RECTUPUSH insert couplings



#### L-piece banjo coupling

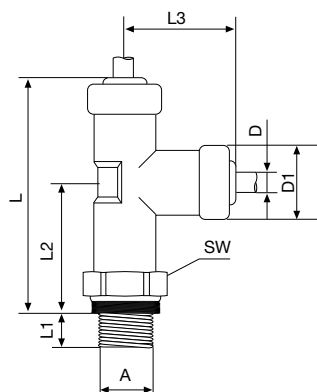
| ERIKS art.no. | Conn. | Order ref   | SW | L    | D  | L1  | L2   | L3   | SW1 | B | D1 | D2 | Vers. |
|---------------|-------|-------------|----|------|----|-----|------|------|-----|---|----|----|-------|
| 10070207      | M5    | RP 18-05/04 | 8  | 15,5 | 4  | 3,5 | 5    | 18   | 10  |   |    |    |       |
| 10070208      | 1/8   | RP 18-10/04 | 14 | 22,5 | 4  | 5   | 10   | 22   | 16  |   |    |    |       |
| 10070209      | 1/8   | RP 18-10/06 | 14 | 22,5 | 6  | 5   | 9    | 23,5 | 16  |   |    |    |       |
| 10070210      | 1/4   | RP 18-13/06 | 17 | 22   | 6  | 7   | 10,5 | 25   | 20  |   |    |    |       |
| 10070211      | 1/8   | RP 18-10/08 | 14 | 22,5 | 8  | 5   | 8    | 24   | 16  |   |    |    |       |
| 10070212      | 1/4   | RP 18-13/08 | 17 | 22   | 8  | 7   | 10   | 31,5 | 20  |   |    |    |       |
| 10070213      | 3/8   | RP 18-17/08 | 22 | 24   | 8  | 8   | 12,5 | 27   | 25  |   |    |    |       |
| 10070214      | 1/4   | RP 18-13/10 | 22 | 24   | 10 | 7   | 12,5 | 39   | 25  |   |    |    |       |
| 10070215      | 3/8   | RP 18-17/10 | 22 | 24   | 10 | 8   | 12,5 | 39   | 25  |   |    |    |       |
| 10070242      | 1/4   | RP 18-13/12 | 22 | 24   | 12 | 7   | 12,5 | 43,5 | 25  |   |    |    |       |
| 10070243      | 3/8   | RP 18-17/12 | 22 | 24   | 12 | 8   | 12,5 | 43,5 | 25  |   |    |    |       |

#### T-screw-in coupling



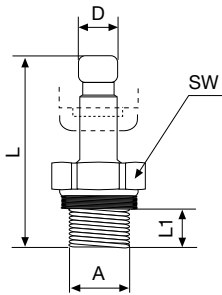
| ERIKS art.no. | Conn. | Order ref.  | SW | L    | D  | L1  | L2   | L3 | SW1 | B | D1   | D2 | Vers. |
|---------------|-------|-------------|----|------|----|-----|------|----|-----|---|------|----|-------|
| 10038110      | 1/8   | RP 98-10/04 | 14 | 28   | 4  | 5   | 18   |    |     |   | 11   |    |       |
| 10038111      | 1/8   | RP 98-10/06 | 14 | 32,5 | 6  | 5   | 20,5 |    |     |   | 13,5 |    |       |
| 10038112      | 1/4   | RP 98-13/06 | 19 | 33   | 6  | 7   | 20,5 |    |     |   | 13,5 |    |       |
| 10038113      | 1/8   | RP 98-10/08 | 14 | 35   | 8  | 5   | 22,5 |    |     |   | 16   |    |       |
| 10038114      | 1/4   | RP 98-13/08 | 19 | 35,5 | 8  | 7   | 22,5 |    |     |   | 16   |    |       |
| 10038115      | 1/4   | RP 98-13/10 | 19 | 44,5 | 10 | 7   | 28,5 |    |     |   | 21   |    |       |
| 10070248      | 1/4   | RP 98-13/12 | 22 | 48   | 12 | 7   | 30   |    |     |   | 23,5 |    |       |
| 10070249      | 3/8   | RP 98-17/12 | 22 | 48,5 | 12 | 8   | 30   |    |     |   | 23,5 |    |       |
| 10070250      | 3/8   | RP 98-17/14 | 24 | 53   | 14 | 8   | 32,5 |    |     |   | 25,5 |    |       |
| 10070251      | 1/2   | RP 98-21/14 | 27 | 54   | 14 | 9,5 | 32,5 |    |     |   | 25,5 |    |       |

#### L-screw-in coupling



| ERIKS art.no. | Conn. | Order ref.  | SW | L    | D  | L1  | L2   | L3   | SW1 | B | D1   | D2 | Vers. |
|---------------|-------|-------------|----|------|----|-----|------|------|-----|---|------|----|-------|
| 10070216      | 1/8   | RP 93-10/04 | 14 | 40,5 | 4  | 5   | 22,5 | 18   |     |   | 11   |    |       |
| 10070217      | 1/8   | RP 93-10/06 | 14 | 46   | 6  | 5   | 25,5 | 20,5 |     |   | 13,5 |    |       |
| 10070218      | 1/4   | RP 93-13/06 | 19 | 46,5 | 6  | 7   | 26   | 20,5 |     |   | 13,5 |    |       |
| 10070219      | 1/8   | RP 93-10/08 | 14 | 49,5 | 8  | 5   | 27   | 22,5 |     |   | 16   |    |       |
| 10070220      | 1/4   | RP 93-13/08 | 19 | 50   | 8  | 7   | 27,5 | 22,5 |     |   | 16   |    |       |
| 10070221      | 1/4   | RP 93-13/10 | 19 | 60,5 | 10 | 7   | 32   | 28,5 |     |   | 21   |    |       |
| 10070244      | 1/4   | RP 93-13/12 | 22 | 66   | 12 | 7   | 36   | 30   |     |   | 23,5 |    |       |
| 10070245      | 3/8   | RP 93-17/12 | 22 | 66,5 | 12 | 8   | 36,5 | 30   |     |   | 23,5 |    |       |
| 10070246      | 3/8   | RP 93-17/14 | 24 | 74   | 14 | 7   | 40,5 | 33,5 |     |   | 25,5 |    |       |
| 10070247      | 1/2   | RP 93-21/14 | 27 | 75   | 14 | 9,5 | 41,5 | 33,5 |     |   | 25,5 |    |       |

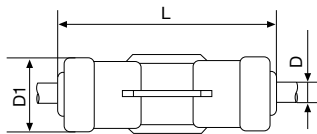
#### RECTUPUSH insert couplings



#### Straight screw-in connector

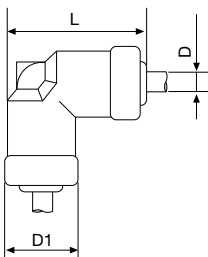
| ERIKS art.no. | Conn. | Order ref.  | SW | L    | D  | L1  | L2 | L3 | SW1 | B | D1 | D2 | Vers. |
|---------------|-------|-------------|----|------|----|-----|----|----|-----|---|----|----|-------|
|               | M5    | RP 31-05/04 | 8  | 26   | 4  | 3,5 |    |    |     |   |    |    |       |
|               | 1/8   | RP 31-10/04 | 14 | 30,5 | 4  | 5   |    |    |     |   |    |    |       |
|               | 1/4   | RP 31-13/04 | 19 | 34   | 4  | 7   |    |    |     |   |    |    |       |
|               | 1/8   | RP 31-10/06 | 14 | 32,5 | 6  | 5   |    |    |     |   |    |    |       |
|               | 1/4   | RP 31-13/06 | 19 | 32,5 | 6  | 7   |    |    |     |   |    |    |       |
|               | 1/8   | RP 31-10/08 | 14 | 33,5 | 8  | 5   |    |    |     |   |    |    |       |
|               | 1/4   | RP 31-13/08 | 19 | 36   | 8  | 7   |    |    |     |   |    |    |       |
|               | 3/8   | RP 31-17/08 | 22 | 37,5 | 8  | 8   |    |    |     |   |    |    |       |
|               | 3/8   | RP 31-17/12 | 22 | 43,5 | 12 | 8   |    |    |     |   |    |    |       |
|               | 1/2   | RP 31-21/12 | 27 | 47   | 12 | 9,5 |    |    |     |   |    |    |       |
|               | 1/2   | RP 31-21/14 | 27 | 49   | 14 | 9,5 |    |    |     |   |    |    |       |

#### Straight insert coupling



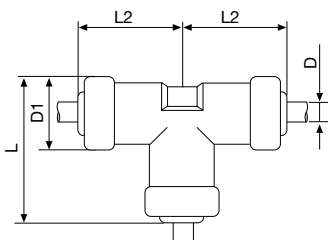
| ERIKS art.no. | Conn. | Order ref. | SW | L  | D  | L1 | L2 | L3 | SW1 | B | D1   | D2 | Vers. |
|---------------|-------|------------|----|----|----|----|----|----|-----|---|------|----|-------|
| 10038116      |       | RP 06-04   |    | 36 | 4  |    |    |    |     |   | 11   |    |       |
| 10038117      |       | RP 06-06   |    | 41 | 6  |    |    |    |     |   | 13,5 |    |       |
| 10038118      |       | RP 06-08   |    | 45 | 8  |    |    |    |     |   | 16   |    |       |
| 10038119      |       | RP 06-10   |    | 47 | 10 |    |    |    |     |   | 21   |    |       |
| 10070252      |       | RP 06-12   |    | 48 | 12 |    |    |    |     |   | 23,5 |    |       |
| 10070253      |       | RP 06-14   |    | 53 | 14 |    |    |    |     |   | 25,5 |    |       |

#### Knee insert coupling



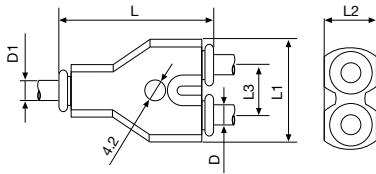
| ERIKS art.no. | Conn. | Order ref. | SW | L    | D  | L1 | L2 | L3 | SW1 | B | D1   | D2 | Vers. |
|---------------|-------|------------|----|------|----|----|----|----|-----|---|------|----|-------|
| 10038120      |       | RP 02-04   |    | 23,5 | 4  |    |    |    |     |   | 11   |    |       |
| 10038121      |       | RP 02-06   |    | 27,5 | 6  |    |    |    |     |   | 13,5 |    |       |
| 10038122      |       | RP 02-08   |    | 30,5 | 8  |    |    |    |     |   | 16   |    |       |
| 10038123      |       | RP 02-10   |    | 39   | 10 |    |    |    |     |   | 21   |    |       |
| 10070254      |       | RP 02-12   |    | 42   | 12 |    |    |    |     |   | 23,5 |    |       |
| 10070255      |       | RP 02-14   |    | 46,5 | 14 |    |    |    |     |   | 25,5 |    |       |

#### T-piece insert coupling



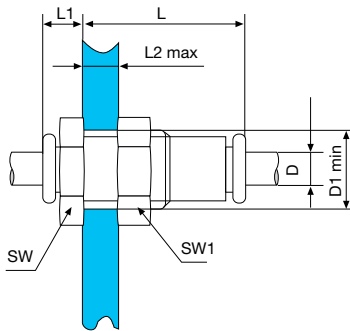
| ERIKS art.no. | Conn. | Order ref. | SW | L    | D  | L1 | L2   | L3 | SW1 | B | D1   | D2 | Vers. |
|---------------|-------|------------|----|------|----|----|------|----|-----|---|------|----|-------|
| 10038124      |       | RP 04-04   |    | 23,5 | 4  |    | 18   |    |     |   | 11   |    |       |
| 10038125      |       | RP 04-06   |    | 27,5 | 6  |    | 20,5 |    |     |   | 13,5 |    |       |
| 10038126      |       | RP 04-08   |    | 30,5 | 8  |    | 22,5 |    |     |   | 16   |    |       |
| 10038127      |       | RP 04-10   |    | 39   | 10 |    | 28,5 |    |     |   | 21   |    |       |
| 10070256      |       | RP 04-12   |    | 42   | 12 |    | 30   |    |     |   | 23,5 |    |       |
| 10070257      |       | RP 04-14   |    | 46,5 | 14 |    | 33,5 |    |     |   | 25   |    |       |

#### RECTUPUSH insert couplings



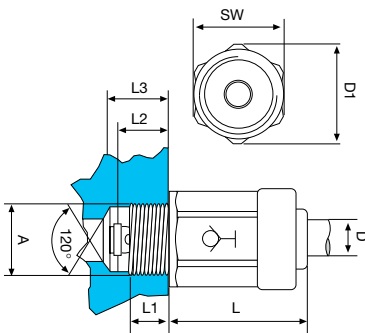
#### Y-piece insert coupling

| ERIKS art.no. | Conn. | Order ref.  | SW | L    | D | L1 | L2 | L3 | SW1 | B | D1 | D2 | Vers. |
|---------------|-------|-------------|----|------|---|----|----|----|-----|---|----|----|-------|
| 10070222      |       | RP 40-04/04 |    | 33   | 4 | 22 | 11 | 11 |     |   | 4  |    |       |
| 10070223      |       | RP 40-04/06 |    | 44   | 4 | 28 | 13 | 14 |     |   | 6  |    |       |
| 10070224      |       | RP 40-06/06 |    | 40,5 | 6 | 28 | 13 | 14 |     |   | 6  |    |       |
| 10070225      |       | RP 40-08/08 |    | 44,5 | 8 | 32 | 15 | 16 |     |   | 8  |    |       |



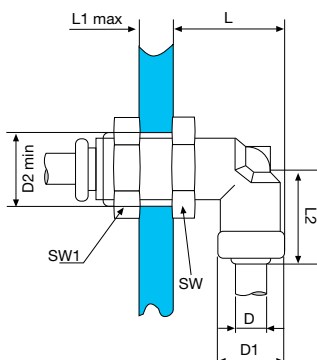
#### Straight bulkhead coupling

| ERIKS art.no. | Conn. | Order ref. | SW | L    | D  | L1  | L2  | L3 | SW1 | B | D1   | D2 | Vers. |
|---------------|-------|------------|----|------|----|-----|-----|----|-----|---|------|----|-------|
| 10038128      |       | RP 16-04   | 14 | 24,2 | 4  | 5,5 | 6,5 |    | 14  |   | 12,5 |    |       |
| 10038129      |       | RP 16-06   | 17 | 29   | 6  | 5,5 | 7   |    | 17  |   | 14,5 |    |       |
| 10038130      |       | RP 16-08   | 19 | 29   | 8  | 6,5 | 7   |    | 19  |   | 16,5 |    |       |
| 10038131      |       | RP 16-10   | 24 | 39   | 10 | 7   | 12  |    | 24  |   | 22,5 |    |       |
| 10070258      |       | RP 16-12   | 27 | 41   | 12 | 7   | 13  |    | 27  |   | 24,5 |    |       |
| 10070259      |       | RP 16-14   | 30 | 44   | 14 | 8   | 15  |    | 30  |   | 26,5 |    |       |



#### Straight screw-in coupling - with valve

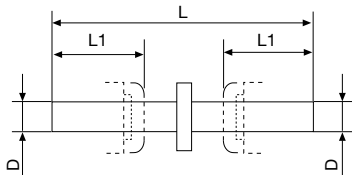
| ERIKS art.no. | Conn. | Order ref.  | SW | L  | D  | L1 | L2 | L3  | SW1 | B | D1 | D2 | Vers. |
|---------------|-------|-------------|----|----|----|----|----|-----|-----|---|----|----|-------|
|               | 1/8   | RA 01-10/04 | 13 | 22 | 4  | 5  | 6  | 7,5 |     |   | 14 |    |       |
|               | 1/8   | RA 01-10/06 | 13 | 24 | 6  | 5  | 6  | 9   |     |   | 16 |    |       |
|               | 1/4   | RA 01-13/08 | 17 | 26 | 8  | 7  | 8  | 11  |     |   | 20 |    |       |
|               | 3/8   | RA 01-17/10 | 19 | 31 | 10 | 8  | 11 | 13  |     |   | 21 |    |       |



#### Knee bulkhead coupling

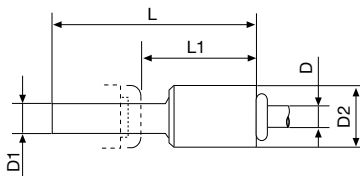
| ERIKS art.no. | Conn. | Order ref. | SW | L    | D  | L1  | L2   | L3 | SW1 | B | D1   | D2   | Vers. |
|---------------|-------|------------|----|------|----|-----|------|----|-----|---|------|------|-------|
| 10070227      |       | RP 39-04   | 14 | 23,5 | 4  | 6,5 | 18   |    | 14  |   | 11   | 12,5 |       |
| 10070228      |       | RP 39-06   | 17 | 26,5 | 6  | 7   | 20,5 |    | 17  |   | 13,5 | 14,5 |       |
| 10070229      |       | RP 39-08   | 19 | 30,5 | 8  | 7   | 22,5 |    | 19  |   | 16   | 16,5 |       |
| 10070230      |       | RP 39-10   | 24 | 38,5 | 10 | 10  | 28,5 |    | 24  |   | 21   | 22,5 |       |
| 10070260      |       | RP 39-12   | 27 | 44,5 | 12 | 12  | 30   |    | 27  |   | 23,5 | 24,5 |       |
| 10070261      |       | RP 39-14   | 30 | 47   | 14 | 15  | 33,5 |    | 30  |   | 25,5 | 26,5 |       |

#### RECTUPUSH insert couplings



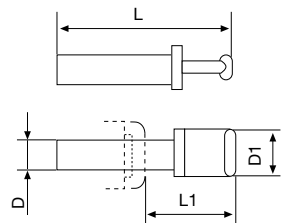
#### Double male connector

| ERIKS art.no. | Conn. | Order ref. | SW | L    | D  | L1   | L2 | L3 | SW1 | B | D1 | D2 | Vers. |
|---------------|-------|------------|----|------|----|------|----|----|-----|---|----|----|-------|
|               |       | RP 20-04   |    | 44,5 | 4  | 14,5 |    |    |     |   |    |    |       |
|               |       | RP 20-06   |    | 47   | 6  | 16,5 |    |    |     |   |    |    |       |
|               |       | RP 20-08   |    | 48   | 8  | 17   |    |    |     |   |    |    |       |
|               |       | RP 20-10   |    | 58   | 10 | 22   |    |    |     |   |    |    |       |
|               |       | RP 20-12   |    | 61   | 12 | 23   |    |    |     |   |    |    |       |
|               |       | RP 20-14   |    | 65   | 14 | 25   |    |    |     |   |    |    |       |



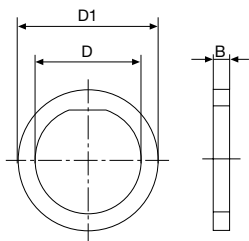
#### Reducer fitting

| ERIKS art.no. | Conn. | Order ref.  | SW | L    | D  | L1   | L2 | L3 | SW1 | B | D1 | D2   | Vers. |
|---------------|-------|-------------|----|------|----|------|----|----|-----|---|----|------|-------|
| 10038132      |       | RP 66-04/06 |    | 39   | 4  | 22,5 |    |    |     |   | 6  | 12   |       |
| 10038133      |       | RP 66-04/08 |    | 38,5 | 4  | 21,5 |    |    |     |   | 8  | 12   |       |
| 10038134      |       | RP 66-04/10 |    | 44   | 4  | 22,5 |    |    |     |   | 10 | 12   |       |
| 10038135      |       | RP 66-06/08 |    | 41,5 | 6  | 24,5 |    |    |     |   | 8  | 14,5 |       |
| 10038136      |       | RP 66-06/10 |    | 44   | 6  | 22,5 |    |    |     |   | 10 | 14,5 |       |
| 10038137      |       | RP 66-08/10 |    | 47,5 | 8  | 26   |    |    |     |   | 10 | 17   |       |
| 10070262      |       | RP 66-10/12 |    | 56,5 | 10 | 33,5 |    |    |     |   | 10 | 21,5 |       |
| 10070263      |       | RP 66-12/14 |    | 58,5 | 12 | 33,5 |    |    |     |   | 12 | 23,5 |       |



#### Stopper

| ERIKS art.no. | Conn. | Order ref. | SW | L  | D  | L1   | L2 | L3 | SW1 | B | D1 | D2 | Vers. |
|---------------|-------|------------|----|----|----|------|----|----|-----|---|----|----|-------|
| 10038138      |       | RP 26-04   |    | 30 | 4  | 15,5 |    |    |     |   | 4  |    |       |
| 10038139      |       | RP 26-06   |    | 33 | 6  | 16,5 |    |    |     |   | 8  |    |       |
| 10038140      |       | RP 26-08   |    | 35 | 8  | 17,5 |    |    |     |   | 10 |    |       |
| 10038141      |       | RP 26-10   |    | 42 | 10 | 21   |    |    |     |   | 12 |    |       |
| 10070264      |       | RP 26-12   |    | 45 | 12 | 22   |    |    |     |   | 14 |    |       |
| 10070265      |       | RP 26-14   |    | 49 | 14 | 23,5 |    |    |     |   | 16 |    |       |



#### PVC dichting, kleur: black

| ERIKS art.no. | Conn.  | Order ref. | SW | L | D | L1 | L2 | L3 | SW1 | B | D1 | D2 | Vers. |
|---------------|--------|------------|----|---|---|----|----|----|-----|---|----|----|-------|
|               | M5     | UD 05M     |    |   |   |    |    |    |     |   |    |    |       |
|               | G1/8   | UD 10      |    |   |   |    |    |    |     |   |    |    |       |
|               | G1/4   | UD 13      |    |   |   |    |    |    |     |   |    |    |       |
|               | G3/8   | UD 17      |    |   |   |    |    |    |     |   |    |    |       |
|               | G1/2   | UD 21      |    |   |   |    |    |    |     |   |    |    |       |
|               | G3/4   | UD 26      |    |   |   |    |    |    |     |   |    |    |       |
|               | G1     | UD 33      |    |   |   |    |    |    |     |   |    |    |       |
|               | G1 1/4 | UD 42      |    |   |   |    |    |    |     |   |    |    |       |