

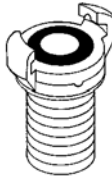


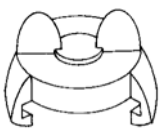
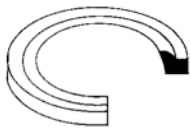
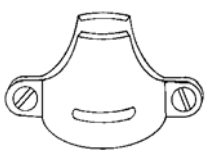
Express claw coupling



Express quick-release couplings

Cast brass hose couplings, internal lug distance 41 mm for all sizes and versions. As a result it is possible to connect couplings with different connections without reducing pieces. The couplings are supplied as standard with an NBR sealing ring. Also available in stainless steel. Maximum working pressure 10 bar.

Table of sizes

ERIKS art.no.	Design	Size	Code
		Tailpiece in mm	
10039540		8	EXS 8 BS
		10	EXS 10 BS
		13	EXS 13 BS
		16	EXS 16 BS
		19	EXS 19 BS
10039541		25	EXS 25 BS
10039542	Tailpiece		
		Male thread	
10039504		1/4"	EXM 6 BS
		3/8"	EXM 10 BS
		1/2"	EXM 13 BS
		3/4"	EXM 19 BS
		1"	EXM 25 BS
10039505		1 1/4"	EXM 32 BS
10039481	Male thread BSP		
		Female thread	
10039507		1/4"	EXF 6 BS
		3/8"	EXF 10 BS
		1/2"	EXF 13 BS
		3/4"	EXF 19 BS
		1"	EXF 25 BS
10039508		1 1/4"	EXF 32 BS
10039483	Female thread BSP		
		Material	
10039468		Brass	EXK BS
	Blind cap		
		Material	
10037676		NBR	EXD B
		CR	EXD N
		EPT	EXD E
		FPM	EXD V
10037677	Sealing ring		
		Clamping diameter	
10016104		16/18	EXCL 18
		19/21	EXCL 21
		22/24	EXCL 24
		25/27	EXCL 27
		28/30	EXCL 30
		31/33	EXCL 33
		34/36	EXCL 36
		37/39	EXCL 39
	Safety clamps		

MS = Brass