



#### RX® DELTA-LD

##### Application

Layflat delivery hose for water and watery solutions in the agriculture sector and construction industry

##### Temperature

-10 °C to +60 °C

##### Design

- PVC, inside wall black, outside wall yellow with polyester inlays
- flat rolls up
- light design

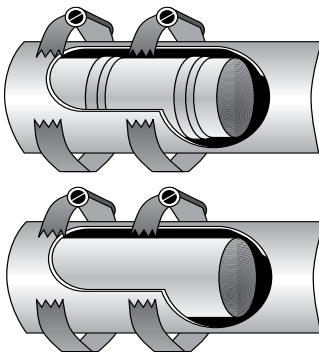
##### Couplings

as chosen

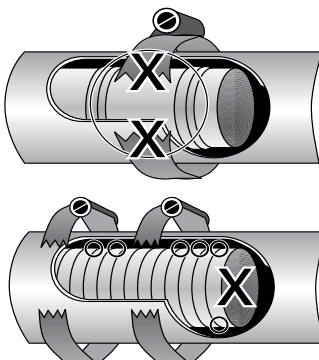
##### Assembly method

ABA, Torro, Norma, Power Clamp

Correct assembly



Wrong assembly



Data Table

ERIKS art.no.	Internal diameter	Working pressure	Bursting pressure	Weight	Roll length
	mm	bar	bar	kg/m	m
11195316	38	5	15	0,220	50
11195599	40	5	15	0,230	50
11195600	45	5	15	0,250	50
11195601	52	5	15	0,280	50
11195602	60	4	12	0,330	50
11195643	63	4	12	0,360	50
11195644	70	4	12	0,410	50
11195645	76	4	12	0,450	50
11195646	80	4	12	0,490	50
11195647	90	4	12	0,580	50
11195648	102	4	12	0,650	50
11195649	153	3	9	1,300	50

Technical information at 20°C

##### Note:

When assembling couplings on layflat hoses the hose clips must be fitted on a smooth part of the tailpiece. A tailpiece with sharp edges may not be used.

It is advised to fit a second piece of hose under the hose clips to stop the cutting through of the outside wall.