

RX® DELTA-MD

Application

Layflat delivery hose for water and watery solutions in the agricultural industry and construction industry

Temperature

-10 °C to +60 °C

Design

- PVC, inside wall black, outside wall blue with polyester inlays
- flat rolls up
- weather-resistant
- medium design

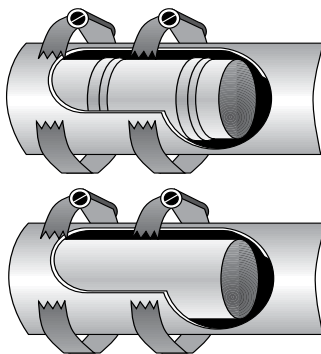
Couplings

as chosen

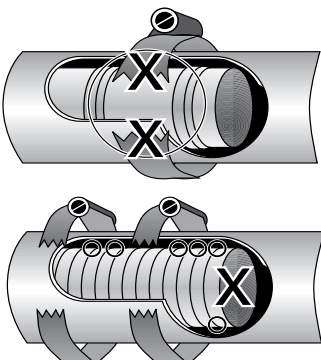
Assembly method

ABA, Torro, Norma, Power Clamp

Correct assembly



Wrong assembly



Data Table

ERIKS art.no.	Internal diameter	Working pressure	Bursting pressure	Weight	Roll length
	mm	bar	bar	kg/m	m
11195650	20	10	30	0,150	50
10014946	25	10	30	0,190	50
11195651	30	10	30	0,220	50
10015919	32	9	27	0,240	50
11195652	35	8	24	0,280	50
10014953	38	8	24	0,300	50
11195653	40	8	24	0,320	50
11195654	45	8	24	0,350	50
10014947	52	8	24	0,410	50
11195655	60	8	24	0,540	50
10014954	63	8	24	0,560	50
11195656	70	7	25	0,610	50
10014948	76	7	24	0,680	50
11195657	80	7	21	0,740	50
11195658	90	7	21	0,850	50
10014949	102	7	21	1,000	50
11195659	110	7	21	1,150	50
10014950	127	6	18	1,350	50
10014951	153	4	12	1,600	50
10014952	203	2,5	8	2,300	50

Technical information at 20°C

Note:

When assembling couplings on layflat hoses the hose clips must be fitted on a smooth part of the tailpiece. A tailpiece with sharp edges may not be used.

It is advised to fit a second piece of hose under the hose clips to stop the cutting through of the outside wall.